

Economy Types



- Replacement for type RIS and RI 31
- The economical encoder for small appliances
- High efficiency by means of ball bearing
- Small torque
- Application e.g.
 - laboratory equipment
 - training equipment
 - crimping machines
 - tampon printing machines
 - miniature grinding machines

NUMBER OF PULSES

5 / 10 / 20 / 25 / 30 / 50 / 60 / 100 / 120 / 128 / 200 / 250 / 256 / 288 / 300 / 360 / 400 / 500 / 512 / 600 / 720 / 900 / 1000 / 1024 / 1250 / 1500
 Other number of pulses on request

TECHNICAL DATA
mechanical

Shaft diameter	5 mm/ 6 mm
Absolute max. shaft load	radial 10 N, axial 5 N
Absolute max. speed	6 000 min ⁻¹
Torque	≤ 0.05 Ncm
Protection class (EN 60529)	Housing IP 50, bearings IP 40
Operating temperature	-10 ... +60 °C
Storage temperature	-25 ... +85 °C
Vibration resistance (IEC 68-2-6)	100 m/s ² (10 ... 2000 Hz)
Shock resistance (IEC 68-2-27)	1000 m/s ² (6 ms)
Connection	1.5 m cable axial/radial ¹
Material	Housing: plastic; Flange: Aluminium
Flange	Pilot flange
Weight approx.	50 g

¹ Other cable length on request

TECHNICAL DATA
electrical

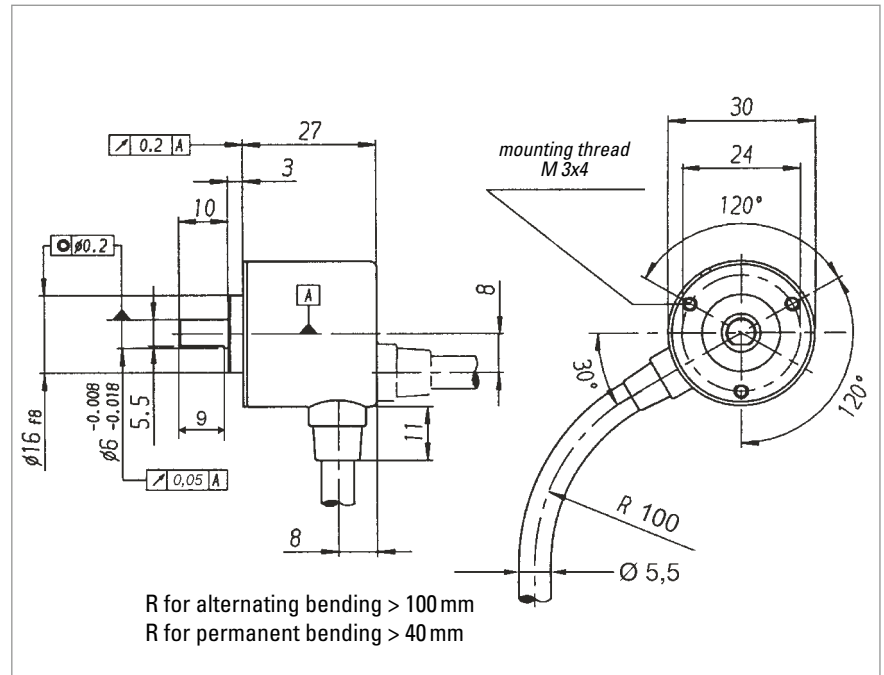
General design	as per DIN VDE 0160, protection class III, contamination level 2, over voltage class II
Supply voltage (SELV)	with push-pull (D): DC 5 V ±10 % with push-pull (K): DC 5 V ¹ ±10 % oder DC 10 - 30 V ²
Max. current w/o load	40 mA (DC 5V), 60 mA (DC 10V), 30 mA (DC 24V)
Standard output versions ³	push-pull (K, D): A, B, N, Alarm

² Pole protection

³ Output description and technical data see chapter "Technical basics"

Economy Types

DIMENSIONAL DRAWINGS



PIN ASSIGNMENT

Description (push-pull)	Lead Ø mm ²	Colour
DC 5 V/ 10 - 30 V	0.5	red
Channel A	0.14	white
Channel B	0.14	green
Channel N	0.14	yellow
GND	0.5	black
Alarm	0.14	yellow/black

ORDERING INFORMATION

Type	Model	Number of pulses	Supply voltage	Flange, Protection, Shaft	Output	Connection
<input type="checkbox"/>	<input type="checkbox"/>	<input type="text"/>	<input type="checkbox"/>	<input type="text"/>	<input type="checkbox"/>	<input type="checkbox"/>
RI32-	0 Standard	5 ... 1 500	A DC 5 V E DC 10 - 30 V ¹	R.11 Pilot, IP40, 6 mm * R.14 Pilot, IP40, 5 mm **	K push-pull ² short circuit proof D push-pull 5 V, ±30 mA	A Cable axial B Cable radial
<p>* flattened, see dimensional drawing ** not flattened ¹ only with output K ² ±10 mA at 5 V, ±30 mA at 10 - 30 V</p>						