

Dimension in:mm

ITA20
Extended duty
pressure switch



The ITA20 pressure switch is specifically designed to stand up to extended duty applications. This switch is factory set but capable of field adjustment. It features different diaphragms for compatibility with a wide variety of fluids, and various terminations including a Metri-Pack connector that forms a tight seal when connected. It can be widely used for pool and spa, anti-skid braking systems, water pump systems, and dental air compressors, heavy construction, off road equipments and other pressure control systems.

ITA20 Order Ref NO

ITA20 -4 1 1 1 1 1 -10psi

A B C D E F Pressure setting: 10psi

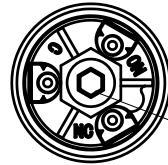
Number	Pressure Set Point Range	Circuitry	Base Material	Connection	Terminals	Cover
0	/	/	/	/	/	none
1	0.5-1psi±0.3psi	BSPST-NC	C brass	D 1/8NPT	E 1/4 blade	F cover A
2	1.1-3psi±0.5psi	SPST-NO	plated steel	1/4NPT	#8-32 scerws	cover B
3	3.1-7psi±1psi	SPDT-NO-C-NC	stainless steel	R1/8	wire leads	/
4	A 8-13psi±2psi	SPST-NO(adjustable)	/	R1/4	/	/
5	14-4psi±3psi	SPDT-NO-C-NC(adjustalble)	/	G1/8	/	/
6	25-50psi±5psi	/	/	G1/4	/	/
7	51-90psi±7psi	/	/	/	/	/
8	91-150psi±10psi	/	/	/	/	/

Specification

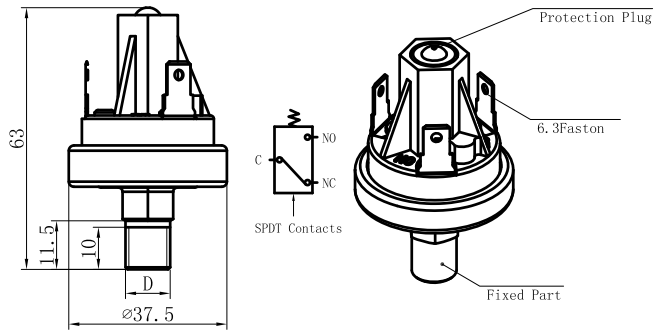
Model	ITA20
Media	Air,water,motor oils,transmission oils,jet fuels and other similar Hydrocarbon Media
Pressure Set Point	Factory set from 0. 5 to 150psi
Max Operating Pressure	150psi for 0.5-24psi set point range, 250psi for 25-150psi set point range
Proof Pressure	500psi
Burst Pressure	750psi for 0.5-24psi set point range, 1250psi for 25-150psi set point range
Opoeating Temperature Range	-40°C to +120°C
Switch Type	Direct action,blade contact
Electric Rating	Resistive : 15AMP-6VDC, 8AMP-12VDC, 4AMP-24VDC Inductive : 1AMP-120VAC, 0.5AMP-240VAC
Contact Arrangement	SPST-N,O,N.C 1circuit adjustable dual circuit,or 2circuits adjustble dual circuit.Also available are N.O/N.O.dual circuit and N.C/N.C.dual circuit
Terminal	#8-32 screws,1/4" blade
Connection	1/8-27NPT Male
Material	Contact:silver alloy,gold plated;Base:brass;Cover:glass reinforced polyester;Diaphragm:polyimide film
Options	Plated Steel,plastic or stainless steel base;various base connector threadsize; wire leads(potted & sealed);Teflone or EPDM diaphragm

ITA20-H

Ultra duty pressure switch



Regulation allen screw 5mm



Dimension in:mm

The ITA20-H pressure switches are robust, compact and designed to operate in harsh environments at various pressures. The switch is factory calibrated but in the case that adjustment is needed in the field the switch offers an adjustment screw to facilitate any fine tuning required. The standard diaphragm employed is polyimide making it compatible with many gases and liquids. Several other diaphragm materials are available that make the switch compatible with many mediums. Various electrical terminations are available including tabs and a metric-pack connector that forms a tight seal when connected.

ITA20-H Order Ref NO

ITA20-H -4 1 2 1 1 1 -175psi

A B C D E F Pressure setting: 175psi

Number	Pressure Set Point Range	Circuitry	Base Material	Connection	Terminals	Cover
0	/	/	/	/	/	none
1	10-35psi±3psi	B SPST-NC	/	D 1/8NPT	E 1/4 blade	F cover A
2	35-75psi±7psi	SPST-NO	C plated steel	1/4NPT	#8-32 screws	cover B
3	75-150psi±10psi	SPDT-NO-C-NC	stainless steel	R1/8	wire leads	/
4	A 150-250psi±20psi	SPST-NO(adjustable)	/	R1/4	/	/
5	250-400psi±50psi	SPDT-NO-C-NC(NO.adjustable)	/	G1/8	/	/
6	/	/	/	G1/4	/	/

Specification

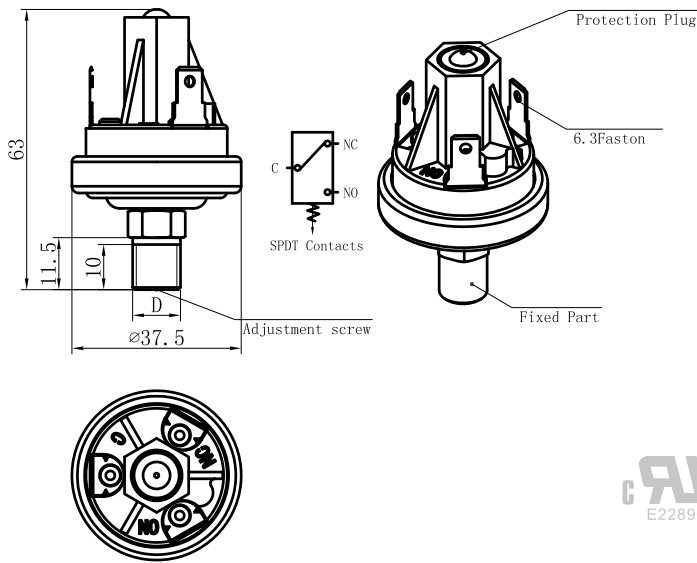
The polyimide diaphragm is not suit for water, if customer is to use the pressure switch in water, please contact the factory.

Model	ITA20-H
Media	Air,water,motor oils,transmission oils,jet fuels and other similar Hydrocarbon Media
Pressure Set Point	Factory set from 10 to 400psi
Max Operating Pressure	500 psi
Proof Pressure	2000 psi
Burst Pressure	4000 psi
Opoeating Temperature Range	-40°C to +120°C
Switch Type	Direct action,blade contact
Electric Rating	Resistive : 15AMP-6VDC、 8AMP-12VDC、 4AMP-24VDC
	Inductive : 1AMP-120VAC、 0.5AMP-240VAC
Contact Arrangement	SPST-NO,NC,SPDT
Terminal	#8-32 screws,1/4" blade,Metri-Pack
Connection	1/8"NPT Male,1/4"NPT Male,G1/8"Male,G1/4"Male
Material	Contact:Silver alloy,gold plated ;Base:Plated Steel ;Cover:Glaee reinforced polyester Diaphragm:Polyimide film(other materials is optional according to media)
Options	Base connector sizes,wire leads,NO/NO.dual circuit and NC/NC.dual circuit

Conversion:1kgf/cm²=14.2psi 1bar=14.5psi

ITA20-V

Vacuum pressure switch



Dimension in:mm

ITA20-V Order Ref NO

ITA20-V -4 1 1 1 1 1 -20" Hg
A B C D E F Pressure setting: 20"Hg

ITA20-V vacuum switch is specifically designed to stand up to extended duty applications. This switch is factory set. It features a fluorosilicone rubber diaphragm for compatibility with a wide variety of fluids, and various terminations including a Metri- Pack connector that forms a tight seal when connected. Among the outstanding design benefits are its durable construction, compact size, and enhanced set point integrity.

Number	Pressure Set Point Range	Circuitry	Base Material	Connection	Terminals	Cover
0	/	/	/	/	/	none
1	1.1-3"Hg(15-41"H2O)±0.5"Hg	B SPST-NC	C barss	D 1/8NPT	E 1/4 blade	F cover A
2	4-8"Hg±1"Hg	SPST-NO	plated steel	1/4NPT	#8-32screws	cover B
3	9-17"Hg±2"Hg	/	stainless steel	R1/8	wire leads	/
4	A 18-22"Hg±3"Hg	/	/	R1/4	/	/
5	/	/	/	G1/8	/	/
6	/	/	/	G1/4	/	/

Specification

Model	ITA20-V
Media	Air
Pressure Set Point	Factory set from 1.1 to 22 in/Hg vacuum
Max Operating Pressure	30 in/Hg vacuum
Burst Pressure	150 psi
Opoeating Temperature Range	-40°C to +120°C
Switch Type	Direct action,blade contact
Electric Rating	Resistive : 15AMP-6VDC, 8AMP-12VDC, 4AMP-24VDC Inductive : 1AMP-120VAC, 0.5AMP-240VAC
Contact Arrangement	SPST-NO,NC
Terminal	#8-32 screws,1/4" blade,Metri-Pack
Connection	1/8"NPT Male,1/4"NPT Male,G1/8"Male,G1/4"Male
Material	Contact:Silver alloy,gold plated ; Base:Plated Steel ; Cover:Glaee reinforced polyester ;Diaphragm:Fluorosilicone elastomer
Options	Various base connector sizes,wire leads(potted & sealed)