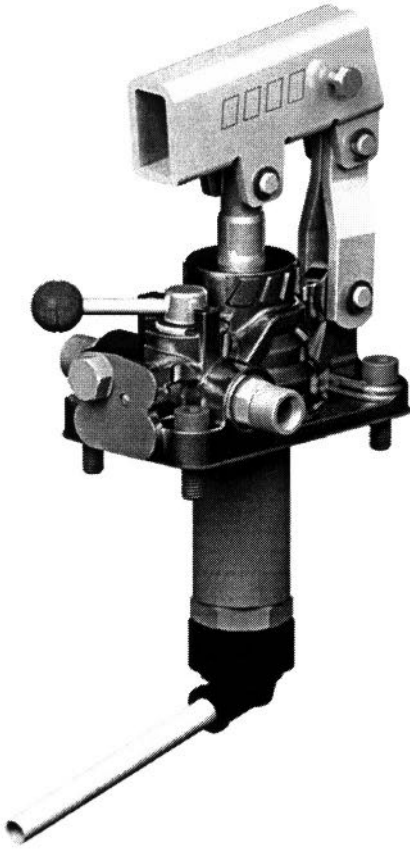
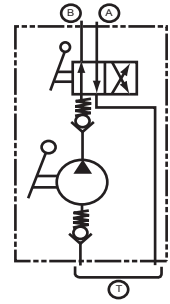


HAND PUMPS - DOUBLE ACTING WITH TANK



PMI Series Hand Pumps provide a uni-directional flow from a double-acting, single piston pump. A rotary 4-way, 3-position valve assembly incorporated in the pump housing provides a means of directional control of the load. Pumps are constructed with a cast iron body and a hardened steel plunger enabling high working pressures. Pump assembly includes an aluminium reservoir. (See specifications for capacity options). Pumps can be mounted either vertically (but not handle - down) or horizontally.



TECHNICAL SPECIFICATIONS

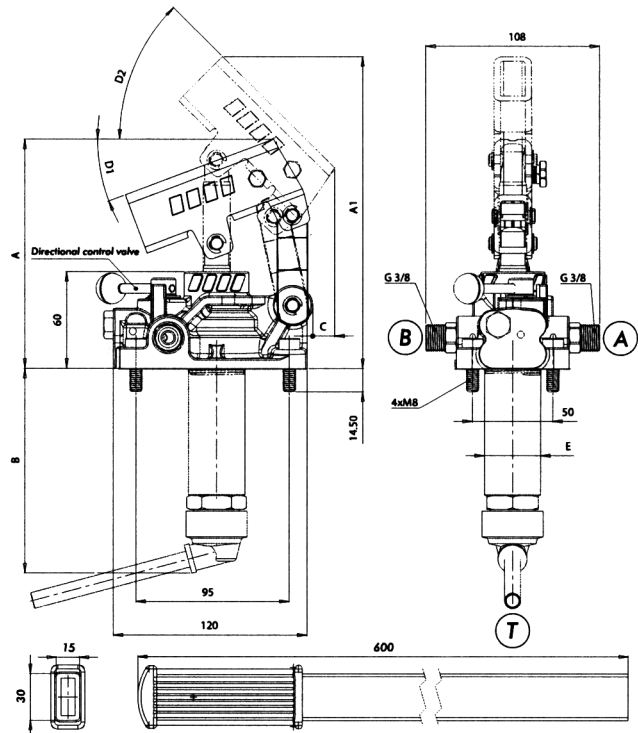
Pump Code	Max. Pressure (bar)	Delivery cc. / cycle	Available Tank Capacities litres
PMI12	350	12	1, 2, 3, 5, 7 & 10
PMI25	300	25	1, 2, 3, 5, 7 & 10
PMI45	270	45	1, 2, 3, 5, 7 & 10

Temperature range: -15°C to +80°C.
For use with mineral oil.

Supplied complete with handle Part No. 106078

DIMENSIONAL DETAILS (mm)

Overall Dimensions mm.							
Code	A	A1	B	C	D1	D2	E
PMI12	143	187	120	2.8	18.5	45	35
PMI25	142	193	127	3.7	20	45	35
PMI45	141	193	138	3.7	20	42	42

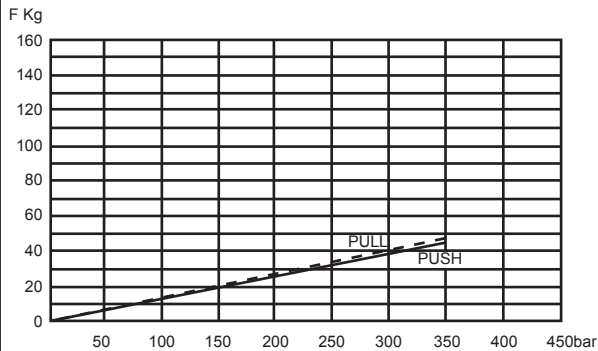


TECHNICAL SPECIFICATIONS

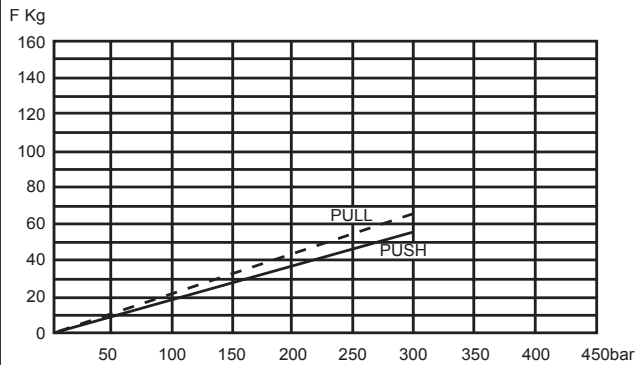
Pump Type	Maximum Pressure Setting Bar	Displacement			Weight
		Full cm ³	Pull cm ³	Push cm ³	
PM*12	350	12	6.1	5.9	2.9
PM*25	300	25	13.4	11.6	2.8
PM*45	270	45	23.7	21.3	3.2

Load while pumping with standard lever

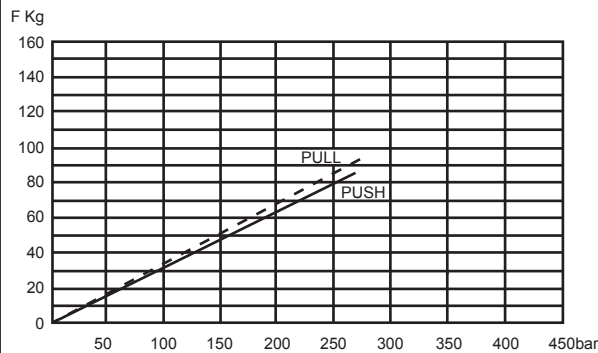
PM*12



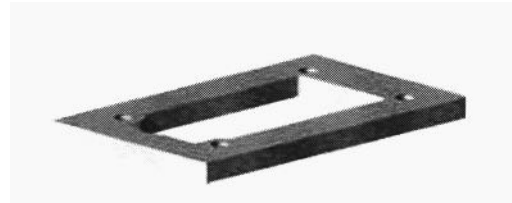
PM*25



PM*45

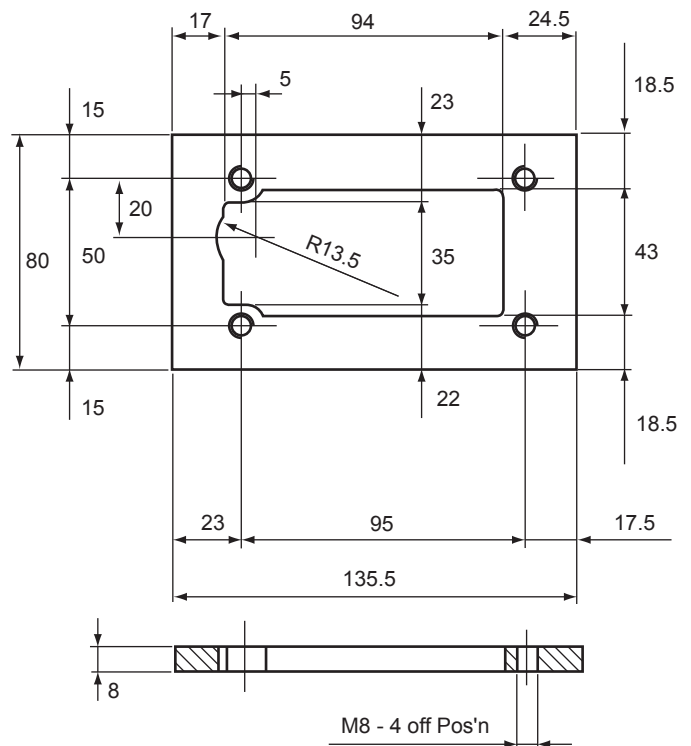


Mounting Flange

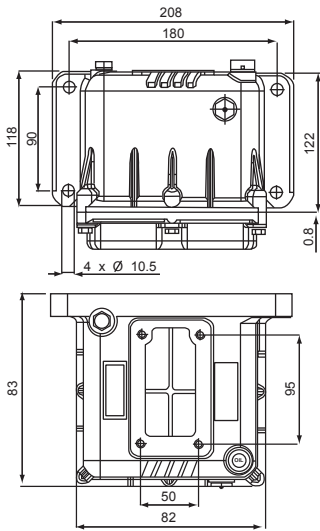


Part No. 106032

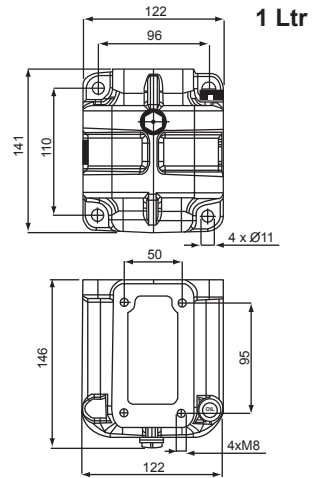
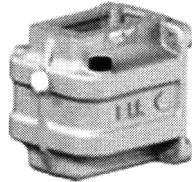
Dimensional Details



Tank Dimensional Details

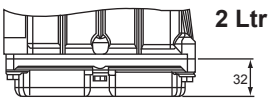


Aluminium 1 Ltr Tank

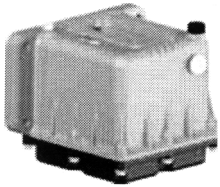


1 Ltr

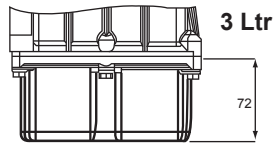
Plastic 2 Ltr Tank



2 Ltr



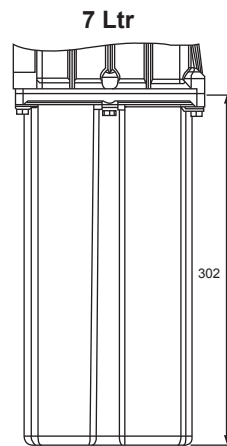
Plastic 3 Ltr Tank



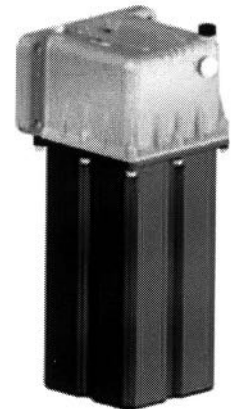
3 Ltr



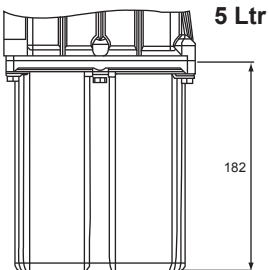
Plastic 7 Ltr Tank



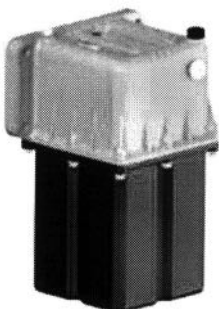
7 Ltr



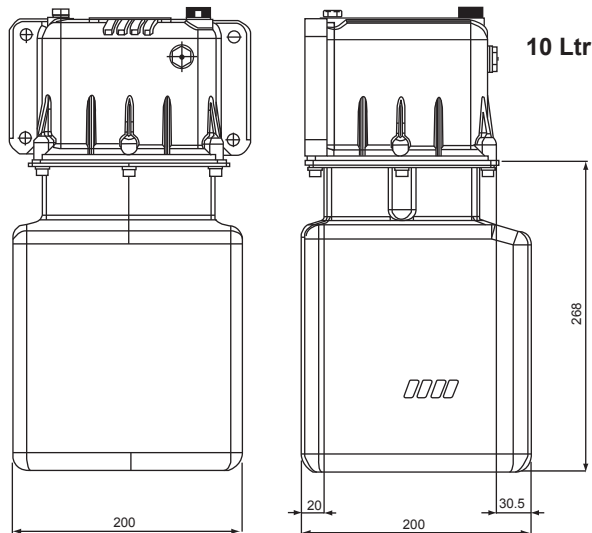
Plastic 5 Ltr Tank



5 Ltr



Plastic 10 Ltr Tank



10 Ltr

